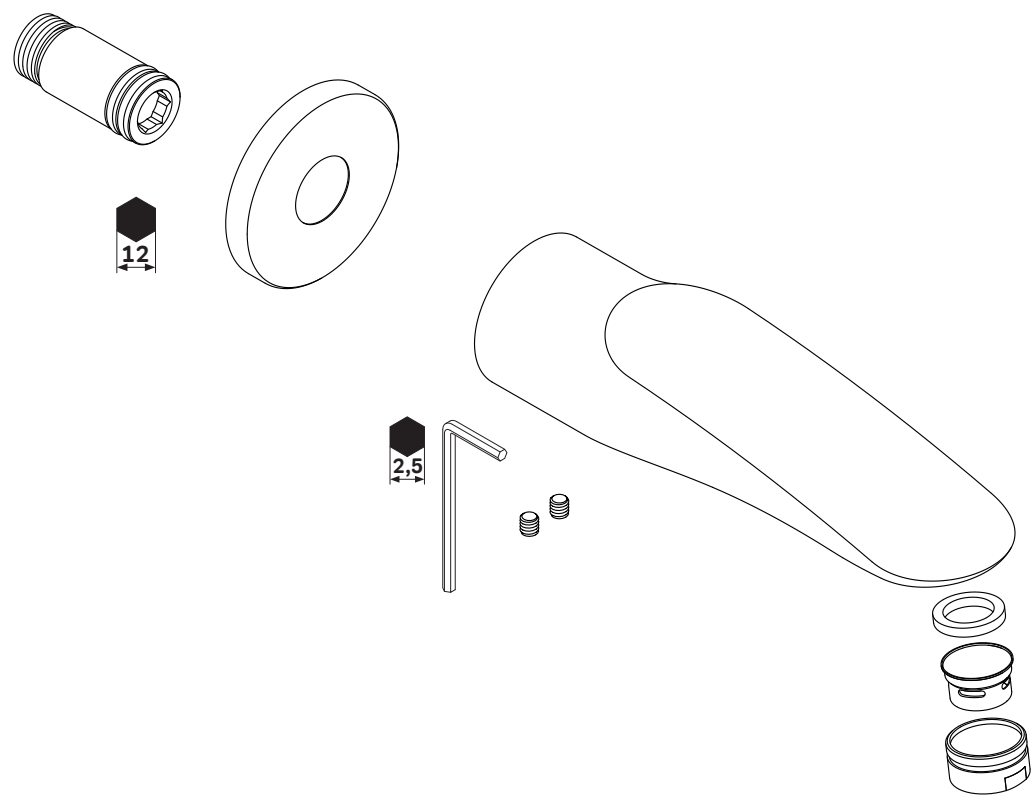
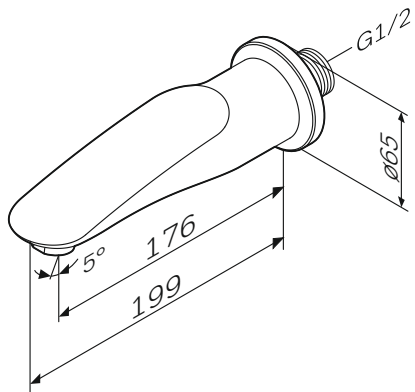



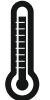




AM.PM

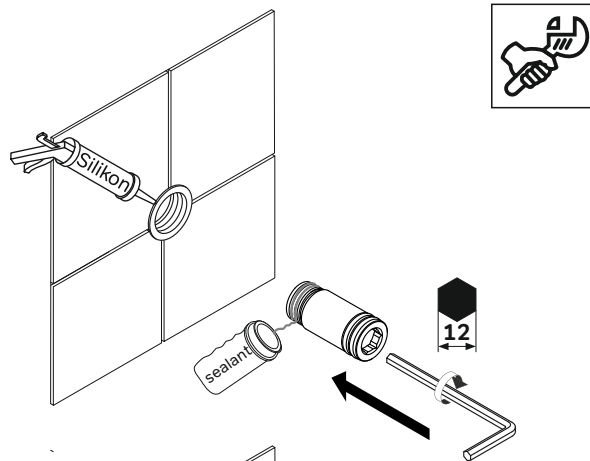
Sensation
F3070000



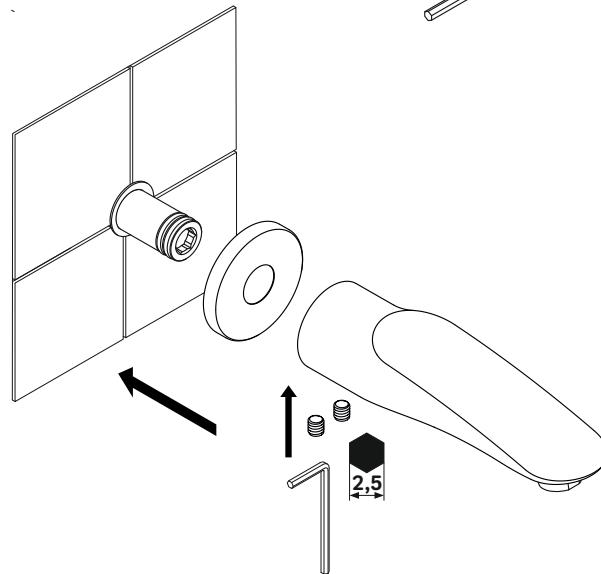


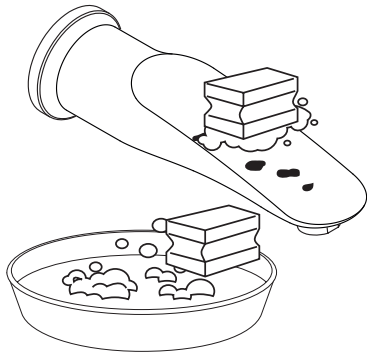
DIN EN 1717			
 P	bar	 MAX. 10 0,5	 5 1 ✓
 T	°C	 MAX. 80	 65 40 ✓

1

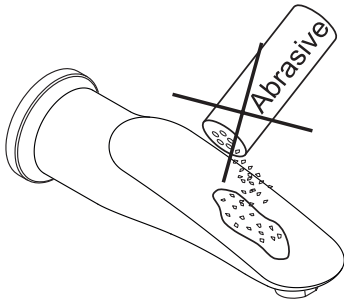
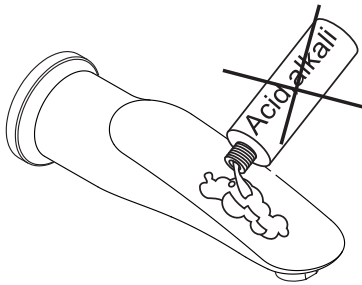


2





soap+H₂O



AM·PM

AM.PM AG Torstrasse 177 D-10115 Berlin
WWW.AMPM-WORLD.COM